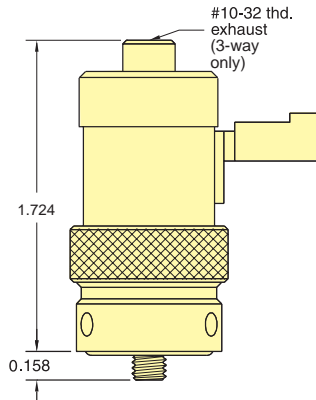


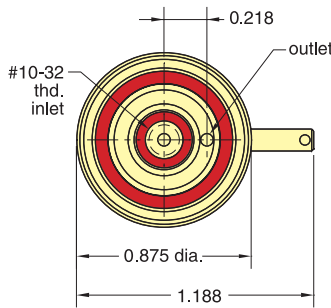


EV, ET, EC SERIES 2- & 3-WAY NORMALLY OPEN VALVES MANIFOLD MOUNT

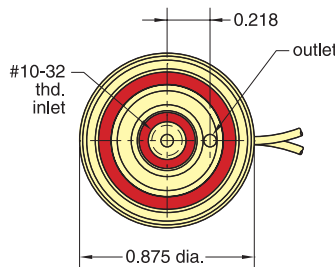
ECN - □ M - □ - □



ETN - □ M - □ - □



EVN - □ M - □ - □



Type: Normally Open 2- or 3-Way

Medium: Air (40 micron filtration)

Temperature Range: 30° to 180°F

Power Consumption: 0.67 watt

Response: <15 milliseconds

Mounting: Manifold

Ports: Manifold mounted with #10-32 stud

Operating Range: 90% to 150% of rated voltage

Air Flow: 0.9 scfm @ 100 psig;
25 lpm @ 7 bar

Pressure Range: 28" Hg Vac. to 105 psig; 7 bar max

ECN, ETN & EVN series valves are 2- & 3-way N.O. solenoid valves. The normally open inlet is through the center mounting stud, so the valves can be supplied directly from the manifold without external tubing.



For Cable and Connectors, see Page 187.

NUMBERING SYSTEM

E □ N - □ M - □ - □

C - Connector
T - Terminal Spades
V - Wire Leads

2 - 2-Way
3 - 3-Way

Voltages: *
6 - 6 Volts
12 - 12 Volts
24 - 24 Volts

Standard Options:
Blank - Buna-N seals
V - Fluorocarbon seals

Non-Standard Options:
E - EPR seals
D - Diode

* Consult factory for availability of non-standard voltages and other options